

MDS Multi-characteristics LED Stripe



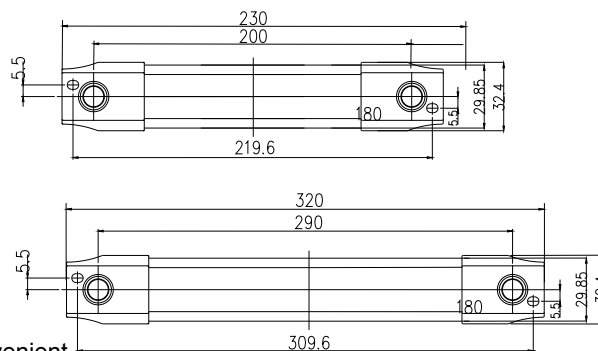
□ Features

- Water, oil and dust-tight according to IP67.
- Prime heat dissipation design prevents the light from fade.
- The comprehensive design fulfills a variety of applications, 40° and 60° beam angle and sophisticated optics creates great intensive brightness, and 120° flat beam for illuminating a large area as well.
- Robust Aluminum alloy housing and tempered safety glass bring excellent impact protection.
- Small size, light weight, MDS creates an optimum installation for extreme confined space.
- Optional: Clamps offer 180° rotating angle for adjusting to the best illumination direction.
- Optional: Powerful magnets provide for easy installation, and offers a flexible adjustment of suitable position.
- **NEW!** The new device : Touch Switch which be waterproof, safe and convenient.



AC100~240V driver

□ Dimensions

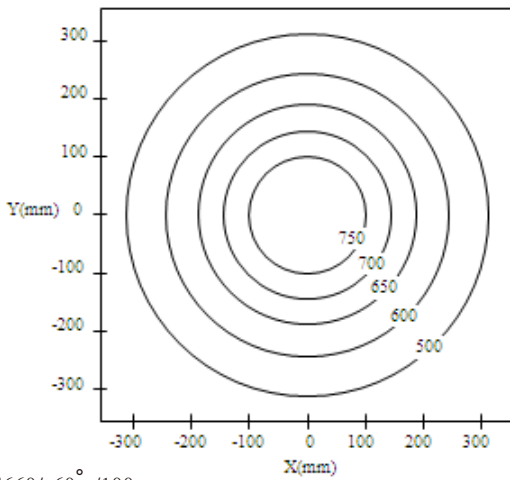


□ Model

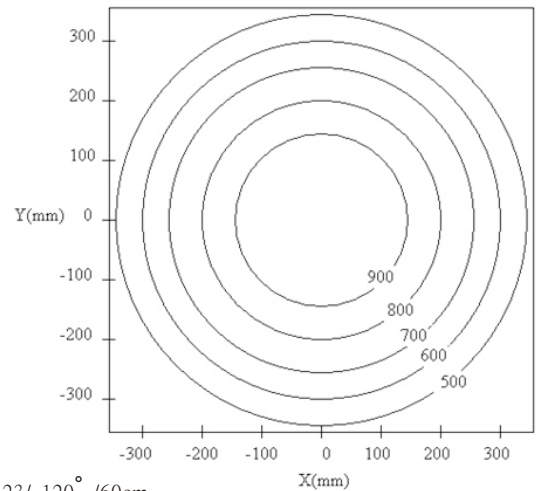
Model No.			規格					
Voltage	Voltage	Voltage	Power	Lx / Beam Angle	CCT	IP	Size	Weight
12V AC/DC	24V AC/DC	AC100V~240V			(K)		L*W*H(mm)	Approx. (g)
—	MDS152-24	MDS152-X	3W	500 Lx (60°, 60cm)	5000	IP673	230*32*23	180g
MDS163-12	MDS163-24	MDS163-X	5W	500 Lx(120°, 60cm)	5000	IP673	230*32*23	180g
MDS323-12	MDS323-24	MDS323-X	10W	900 Lx(120°, 60cm)	5000	IP673	320*32*23	240g
—	MDS640-24	MDS640-X	10W	1200 Lx(40°, 100cm)	5000	IP673	320*32*23	240g
—	MDS660-24	MDS660-X	10W	900 Lx(60°, 100cm)	5000	IP673	320*32*23	240g

□ Specification

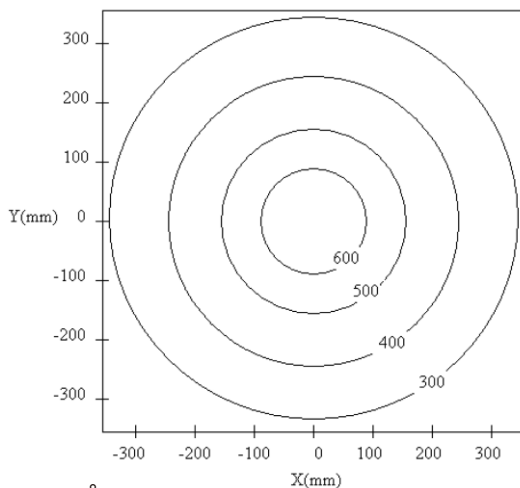
Model	MDS152	MDS163	MDS323/MDS640/MDS660
Type	Stripe	-ditto-	-ditto-
Rated Voltage	24 VDC	-ditto-	-ditto-
Voltage Range	21.6 ~26.4V DC	-ditto-	-ditto-
Power Consumption	3 Watt (with rated voltage)	5 Watt	10 Watt
Insulation resistance	1 M Ohm up	-ditto-	-ditto-
Voltage-resistant	1,000V AC 50/60 Hz 1/min.	-ditto-	-ditto-
Vibration Resistant	Frequency 5 ~ 55 Hz Single Amplitude 0.5 mm	-ditto-	-ditto-
Impact Resistance	1,000 m/s ²	-ditto-	-ditto-
Ambient Temperature	-30 ~ +55 °C (Not iced)	-ditto-	-ditto-
Relative Humidity	45 ~ 85% RH (No dew)	-ditto-	-ditto-
Storage Temperature	-35 ~ +70 °C (Not iced)	-ditto-	-ditto-
Operating Environment	Non-corrosive gases	-ditto-	-ditto-
Service Life	50,000 hours (by 25 °C operating temperature, last around 70% of the initial value.)	-ditto-	-ditto-
Protection	Cover with Tempered Safety Glass	-ditto-	-ditto-
Material	Body: Aluminum Anodized Lampshade: Tempered Safety Glass	-ditto-	-ditto-
Weight (Approx.)	160g	-ditto-	240g



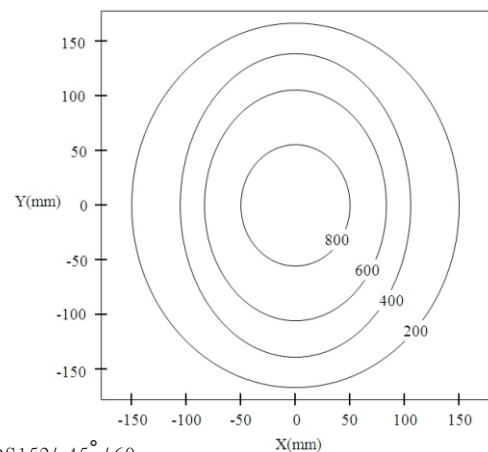
MDS660/ 60° /100cm



MDS323/ 120° /60cm



MDS163/ 120° /60cm



MDS152/ 45° / 60cm

